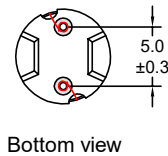
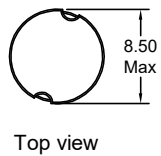
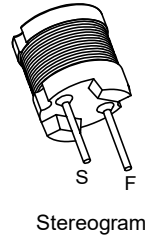
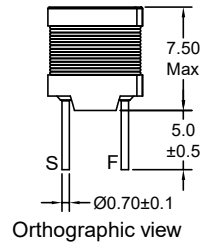


P/N: FALCH0807-471K



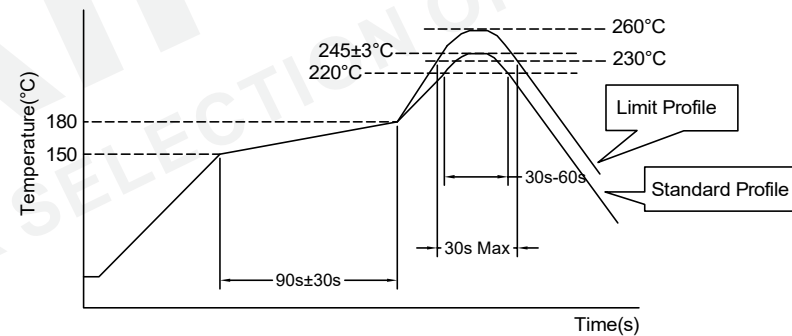
Outline Dimensions(Unit:mm)



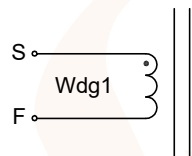
Material list

| Part Name   | SPEC                       | Material Type | Supplier   | UL Number |
|-------------|----------------------------|---------------|--|-----------|
| Core        | DR2W7.8*7(S)<br>RCH(B=3.5) | NiZn          | FengYin Electronics Corporation or Equivalent supplier | N/A       |
| Copper Wire | 2UEW-F                     | 155°C         | Elektrisola Hangzhou Co Ltd                            | E258243   |

Recommended Soldering Temperature Graph.



Electrical Schematic



Electrical Characteristics(@25°C)

| Inductance<br>1KHz,0.1V<br>S-F | DC Resistor<br>S-F | Rated Current |
|--------------------------------|--------------------|---------------|
| 470uH±10%                      | 1.34Ω Max          | 0.41A         |

\*\*\*Operating Temperature: -40°C~+125°C  
(Temperature rise included)  
\*\*\*Storage Temperature: -40°C~+125°C  
\*\*\*Storage Humidity:RH10%~70%.

|                  | Standard Profile    | Standard Profile    |
|------------------|---------------------|---------------------|
| Pre-heating      | 150~180°C,90s±30s   |                     |
| Heating          | above 220°C,30s-60s | above 240°C,30s Max |
| Peak temperature | 245°C±3°C           | 260°C,10s           |
| Cycle of reflow  | 2 times             | 2 times             |

|     |             |      |      |   |   |                       |   |                                   |
|-----|-------------|------|------|---|---|-----------------------|---|-----------------------------------|
| REV | DESCRIPTION | APPD | DATE | Tianchang Fuan Electronic Co Ltd<br>www.fuantronics.net<br>TEL: +86-550-7814888<br>FAX: +86-550-7831133 | <br>Tolerances unless otherwise specified:<br>(X)±0.50 (XX)±0.25<br>Unit of measurement: mm | Make: Qiumei.Liu      | <b>DRAWING TITLE</b><br>DR2W7.8*7 POWER INDUCTORS | Customer Name:                    |
|     |             |      |      |   |   | Checked: Beson. zhan  |   | Material Number: A330807XS200     |
|     |             |      |      |   |   | Approved: Anson. zhan |   | Specification Sheet: 1 of 1       |
|     |             |      |      |   |   |                       |   | Date of Recognition: Mar./16/2020 |